



## • ED5010 Series.

**DC Brushless fan.**

**Size: 50 x 50 x 10 mm**

**1.9x 0.4 Inches.**

**Airflow: Max. 15 CFM /0.4 m3/min**

**Plastic Impeller / Plastic Frame.**

Model No.	Rated Voltage	Voltage Range	Input Power	Rated Current	Ref Speed	Max. Airflow		Max. Static Pressure		Noise Level	PQ Curves
	VDC	VDC	Watt	Amp	RPM	CFM	m3/min	Inch/H2O	mm/H2O	dB (A)	
ED5010-05SH**	5	4.5~5.5	2.4	0.48	7200	15	0.4	0.22	5.59	37	1
ED5010-05HHH**	5	4.5~5.5	1.92	0.38	6500	13	0.4	0.18	4.57	35	2
ED5010-05HH**	5	4.5~5.5	1.68	0.34	5500	11	0.3	0.14	3.61	30	3
ED5010-05H**	5	4.5~5.5	1.44	0.29	4500	9	0.3	0.09	2.29	25	4
ED5010-05M**	5	4.5~5.5	1.2	0.24	3500	7	0.2	0.05	1.27	18	5
ED5010-05L**	5	4.5~5.5	0.72	0.14	2800	6	0.2	0.03	0.76	13	6
ED5010-12SH**	12	7~13.2	2.4	0.2	7200	15	0.4	0.22	5.59	37	1
ED5010-12HHH**	12	7~13.2	1.92	0.16	6500	13	0.4	0.18	4.57	35	2
ED5010-12HH**	12	7~13.2	1.68	0.14	5500	11	0.3	0.14	3.61	30	3
ED5010-12H**	12	7~13.2	1.44	0.12	4500	9	0.3	0.09	2.29	25	4
ED5010-12M**	12	7~13.2	1.2	0.1	3500	7	0.2	0.08	1.27	18	5
ED5010-12L**	12	7~13.2	0.72	0.06	2800	6	0.2	0.03	0.76	13	6
ED5010-24SH**	24	14~26.4	2.4	0.1	7200	15	0.4	0.22	5.59	37	1
ED5010-24HHH**	24	14~26.4	1.92	0.08	6500	13	0.4	0.18	4.57	35	2
ED5010-24HH**	24	14~26.4	1.68	0.07	5500	11	0.3	0.14	3.61	30	3
ED5010-24H**	24	14~26.4	1.44	0.06	4500	9	0.3	0.09	2.29	25	4
ED5010-24M**	24	14~26.4	1.2	0.05	3500	7	0.2	0.05	1.27	18	5
ED5010-24L**	24	14~26.4	0.72	0.03	2800	6	0.2	0.03	0.76	13	6

\*\* = "BL" for wire lead type Ball bearing Type.

-We reserve the right to change data and improve electrical & mechanical design without notice. data tolerance +10%

### Motor

Motor Type: Brushless DC Motor, auto cutoff, auto restart optional only  
 Burnout Protection: Electronically protected, polarity protected  
 IP Protection: Ratings on request

### Mechanical

Frame: Glass fiber reinforced thermoplastic, rated UL94V-0  
 Impeller: 7 blades, glass fiber reinforced plastic, rated UL94V-0  
 Bearing: Two ball bearings  
 Rotation: CCW seen on rotor  
 Connection: Wire lead  
 Weight: 32 g (0.07 Lbs)

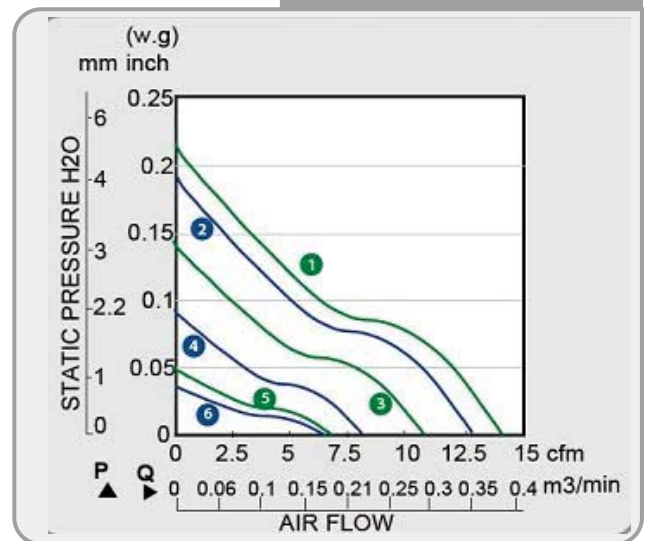
### Electrical

Dielectric Strength: 500 VAC/min. Max leakage 500mA  
 Speed Control: Optional: PWM, S/C NTC thermister on request  
 Signal Output: Optional: R/D alarm output, tachometer output F/G

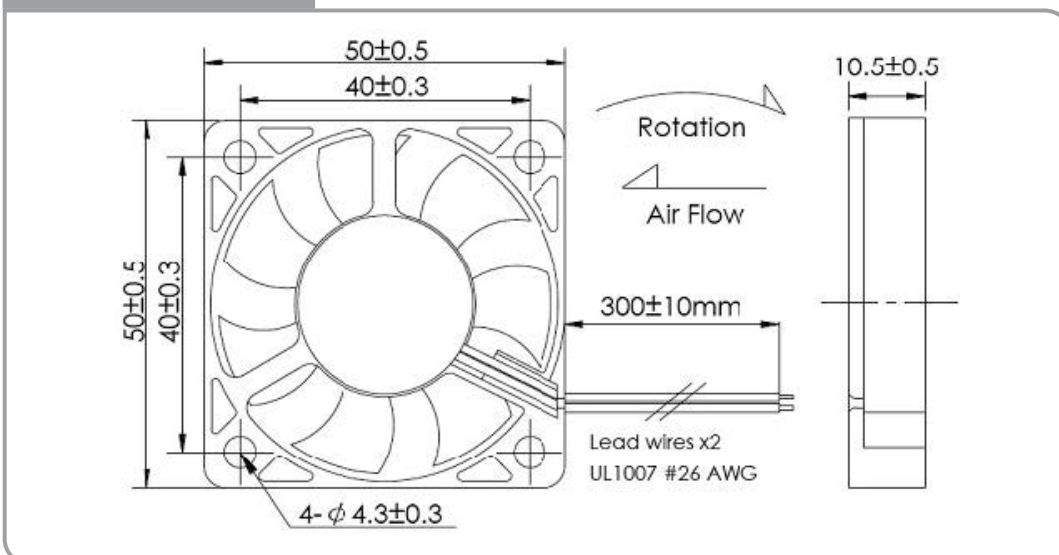
### Environment

Operating Temp: Ambient non-condensing -15°C~+65°C  
 Storage Temp: -25°C~+80°C (at 65%RH)  
 Life Expectancy: L10 55K hours at 45°C, 40K hours at 60°C

### ▶ Performance P-Q Curves.



### ▶ Outline Dimensions.



### Fan Accessories

